

Assembling The Firepit & Tripod

Modified on: Sat, 28 Aug 2021 at 18:27

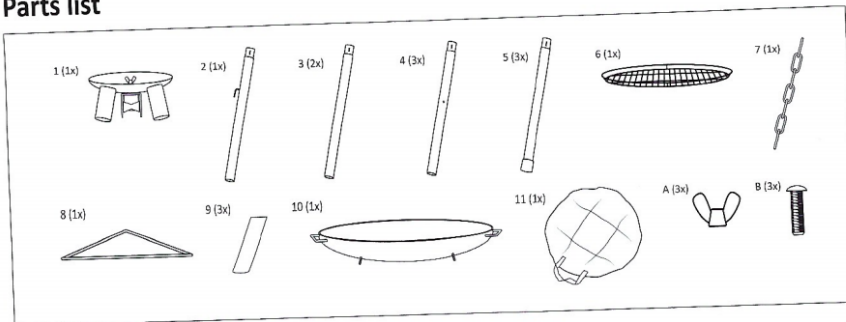
Prior to assembly, read the follow instructions and check you have all the listed below. Assemble on a soft surface to avoid scratching the paint.

For ease of assembly only loosely tighten bolts and then tighten fully when assembly is complete.

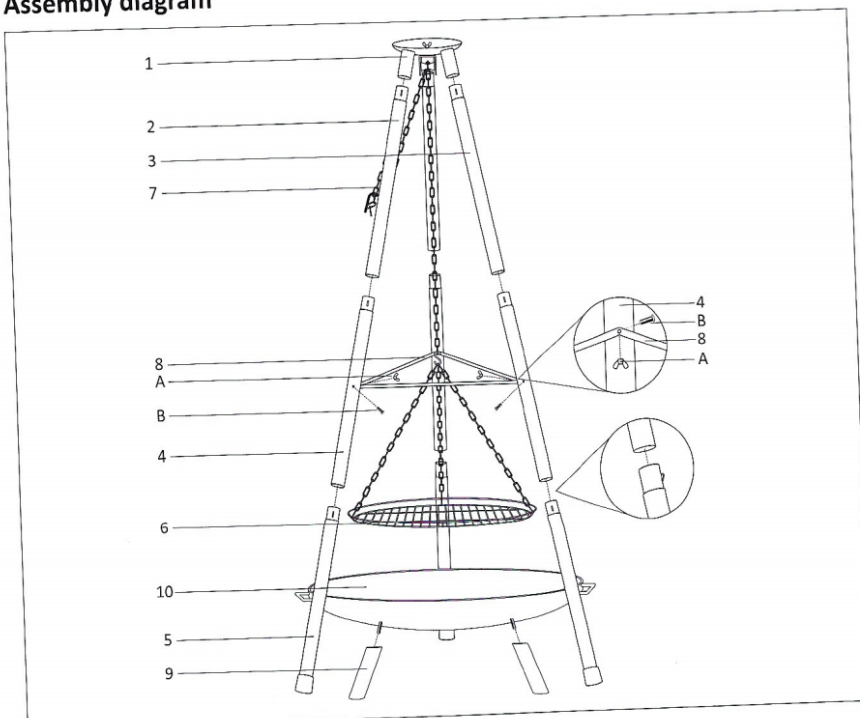
Warning! - Do Not over tighten bolts. Only tighten with moderate pressure to avoid damage.

Assembly Diagram

Parts list



Assembly diagram



Assembly Instructions

1. Attach the three top leg sections (2 & 3) to the top plate (1) of the tripod by slotting in place. Ensure the hook on the leg is facing outwards.
2. Connect the middle leg sections (4) to the bottom of the top leg sections (2 & 3)
3. Attach the support triangle (8) to the holes on each middle leg sections (4) with the bolts and wing nuts.
4. Connect the bottom Leg Sections (5)
5. Feed the chain (7) up and through the pulley mechanism and attach the chain (7) to the hook on the top leg section (2)
6. Attach the grill (6) to the chain (7) using the hooks at the end of the chains.
7. Screw the legs (9) of the firepit, to the bowl (10) until secure.

The firepit and grill are now ready to use.